

## **MovingCap pushTRACK**

Electric short stroke cylinder  
Compact. Precise. Powerful.

# MovingCap pushTRACK

## - a short stroke electric cylinder that takes the air away

The MovingCap shortTRACK SM is the ideal solution for dynamic and precise motion sequences in production, series, and special-purpose machines. Its compact design, combined with high accuracy, long service life, and easy commissioning, makes it the optimal choice for industrial applications.



 python™  
TCP/IP  
EtherCat

**Short stroke cylinder MovingCap pushTRACK**  
with integrated control electronics

### Key Features:

- Integrated absolute encoder measuring system
- Integrated motor controller
- EC-motor drive
- TCP/IP and CANopen interface (optional)
- Programming functionality
- Integrated “onboard” commissioning interface
- Digital inputs and outputs for easy I/O control
- Various operating modes according to CiA DS402
- LED status display according to CiA DS303
- Construction in robust metal housing
- Plug connections in standardized M12 industrial design
- Python command interpreter for customer-specific application and motion profiles
- Easy service due to replaceable plunger
- Scalable mechanics

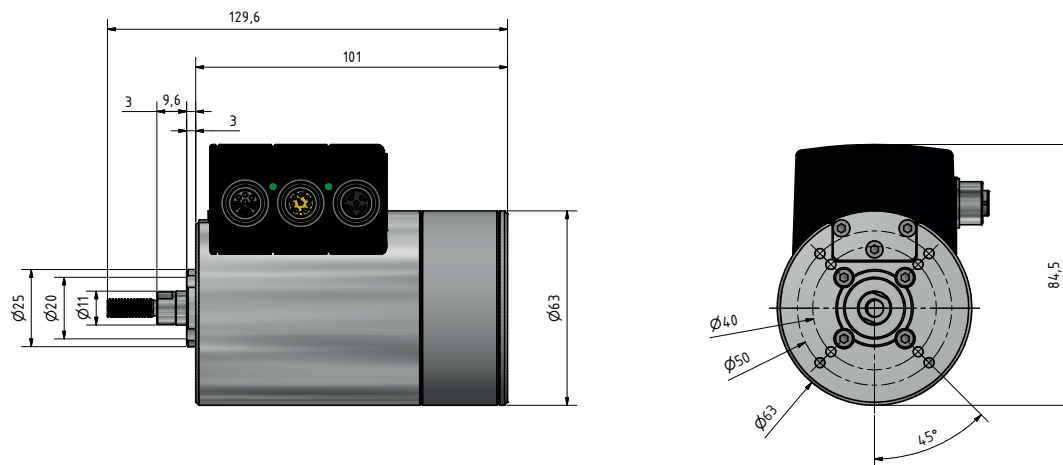
Type	Stroke	Force	Speed
<b>pushTRACK 45S100</b>	45mm	125N (max.300N )	500mm/s
<b>pushTRACK 45S150</b>	45mm	83N (max.200N)	750mm/s
<b>pushTRACK 45S240</b>	45mm	52N (max.125N)	1.200mm/s
<b>pushTRACK L - variants</b>			
<b>pushTRACK 80S100</b>	80mm	125N (max.300N)	500mm/s
<b>pushTRACK 80S150</b>	80mm	83N (max.200N)	750mm/s
<b>pushTRACK 80S240</b>	80mm	52N (max.125N)	1.200mm/s
<b>pushTRACK 115S100</b>	115mm	125N (max.300N)	500mm/s
<b>pushTRACK 115S150</b>	115mm	83N (max.200N)	750mm/s
<b>pushTRACK 115S240</b>	115mm	52N (max.125N)	1.200mm/s
<b>pushTRACK - base variants (trapezoidal thread)</b>			
<b>pushTRACK45T020</b>	45mm	625N (max. 750N)	50mm/s
<b>pushTRACK45T040</b>	45mm	313N (max. 750N)	100mm/s
<b>pushTRACK L – variants (trapezoidal thread)</b>			
<b>pushTRACK85T020</b>	85mm	625N (max. 750N)	50mm/s
<b>pushTRACK85T040</b>	85mm	313N (max. 750N)	100mm/s
<b>pushTRACK115T020</b>	115mm	625N (max. 750N)	50mm/s
<b>pushTRACK115T040</b>	115mm	313N (max. 750N)	100mm/s

## Technical specifications:

Type		MovingCap pushTRACK
Rated voltage (motor)	Vdc	24-48
Rated voltage (logic)	Vdc	24
Nominal force	N	52 / 83 / 125 / 313 / 625
Peak force	N	125 / 200 / 300 / 750
Rated current	A	5
Peak current	A	12
Encoder resolution	$\mu\text{m}$	4096
Repeatability encoder	$\mu\text{m}$	+/- 2
Degree of protection	IP	54
Operating ambient temperature	$^{\circ}\text{C}$	0...+40

### Dimensions MovingCap pushTRACK:

Base version pushTRACK45





Fullmo GmbH  
Robert-Bosch-Straße 5  
88677 Markdorf

Tel. +49 7544 30 73 39-0  
Fax +49 7544 30 73 39-9

Mail [info@fullmo.de](mailto:info@fullmo.de)  
Web [www.fullmo.de](http://www.fullmo.de)